

1 READ ABOUT IT!

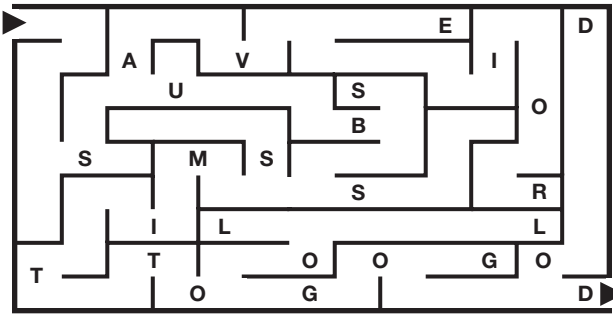
“Submit yourselves therefore to God. Resist [say no to] the devil [Satan], and he will flee from you.”

—James 4:7

2 THINK ABOUT IT!

Often we sin because what we want isn't what God wants. But sometimes Satan, God's enemy, tempts us to sin. If you submit to God by doing what God says, you will be able to say no to the devil and to the temptation!

Follow the maze to find the message.



3 PRAY ABOUT IT!

Ask God to help you do what He says so you can say no to Satan when he tempts you to sin.

Have you learned the memory verse? See if you can say it without looking. If you need help, hold this page up to a mirror to see the words.

“For because he himself has suffered when tempted, he is able to help those who are being tempted.”
Hebrews 2:18

Quiet Time

WORD UP! Jesus wins!

A new memory verse!

Work hard to memorize it this week!

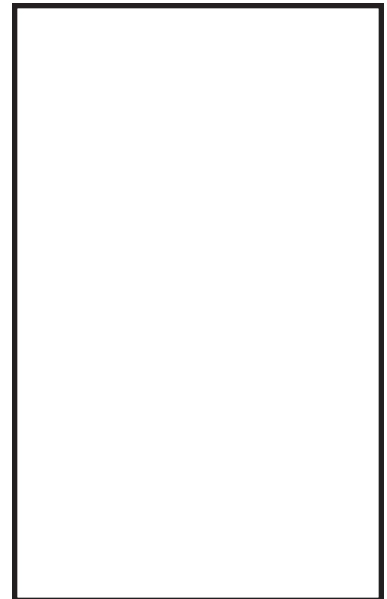
“For because he himself has suffered when tempted, he is able to help those who are being tempted.”

Hebrews 2:18

One of the greatest true things of all time is that Jesus wins! Jesus won against sin and death and Satan. Because Jesus won, He can help you when you are tempted to sin too. In your Quiet Time this week, you will learn more about how Jesus helps you when you are tempted.

When you learn something new or you are reminded of something important, write it down or draw it in the box below. Then tell someone about it!

When you finish your Quiet Time each day, color in one trophy.



1 READ ABOUT IT!
Day 1

“Let no one say when he is tempted, ‘I am being tempted by God,’ for God cannot be tempted with evil, and he himself tempts no one.”
—James 1:13

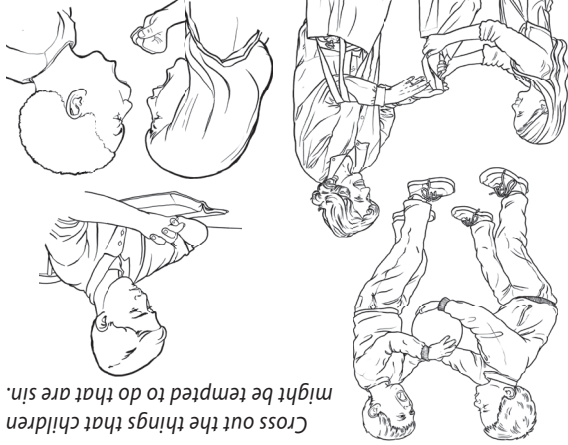
3 PRAY ABOUT IT!

Thank God that He never tempts anyone to sin and that He is the one who helps you out of temptation.

2 THINK ABOUT IT!

A temptation is when you have a desire to sin (disobey God). Temptations come in many ways, but one thing is for sure—temptation to sin never comes from God. God is the one who helps you get out of temptation.

Cross out the things that children might be tempted to do that are sin.



1 READ ABOUT IT!
Day 2

“But each person is tempted when he is lured and enticed by his own desire.”
—James 1:14

3 PRAY ABOUT IT!

Ask God to help you not to give in to your desires to sin today but to help you do things that please Him.

2 THINK ABOUT IT!

Where does temptation to sin come from? It comes from our own sinful desires. There is something we want to do, think, or say that doesn't please God and it looks like a good thing to do. But sin always leads to trouble in the end.

Cross out boxes with odd numbers and put the remaining letters in the blanks to find out what sin leads to.

R ³	S ²	T ¹	I ⁸	N ⁶	T ⁵	P ¹	L ⁶	E ²	M ⁵	A ⁸
D ⁴	B ⁹	S ⁸	L ⁵	T ⁷	Y ⁷	D ³	O ²	Y ³	H ⁵	Y ⁹
T ⁴	A ⁷	R ²	O ⁶	E ⁹	U ²	F ¹	B ⁸	L ²	F ⁹	E ²

1 READ ABOUT IT!
Day 3

“No temptation has overtaken you that is not common to man. God is faithful, and he will not let you be tempted beyond your ability, but with the temptation he will also provide the way of escape, that you may be able to endure it.”
—1 Corinthians 10:13

3 PRAY ABOUT IT!

Thank God for being there to help you when you are tempted. Ask Him for His help today.

2 THINK ABOUT IT!

God will always help you when you are tempted to sin! He wants you to come to Him and ask for help and strength to say no to the temptation and yes to what He wants you to do. He is on your side!

Can you think of a time you were tempted to sin and God helped you? Write about it or draw it in the box.

1 READ ABOUT IT!
Day 4

“If we confess our sins, He is faithful and just to forgive us our sins and to cleanse us from all unrighteousness.”
—1 John 1:9

3 PRAY ABOUT IT!

Do you have any sin you'd like to tell Jesus about now? Take a minute to talk to Him about it and then thank Him for His forgiveness!

2 THINK ABOUT IT!

Jesus is always there to help you when you are tempted to sin! But sometimes you may choose to sin anyway. If you do, Jesus has a promise for you. When you tell what you did wrong, He forgives you. He will even help you to say no to sin the next time.

Cross out the letter "P" and write the remaining letters in the blanks to find an important truth.

P	U	P	S	P	P	F
P	O	P	R	G	P	I
P	V	E	P	S	P	P
M	P	Y				
P	P	S				
P	I	P				
P	N	P				
S	P	P				
